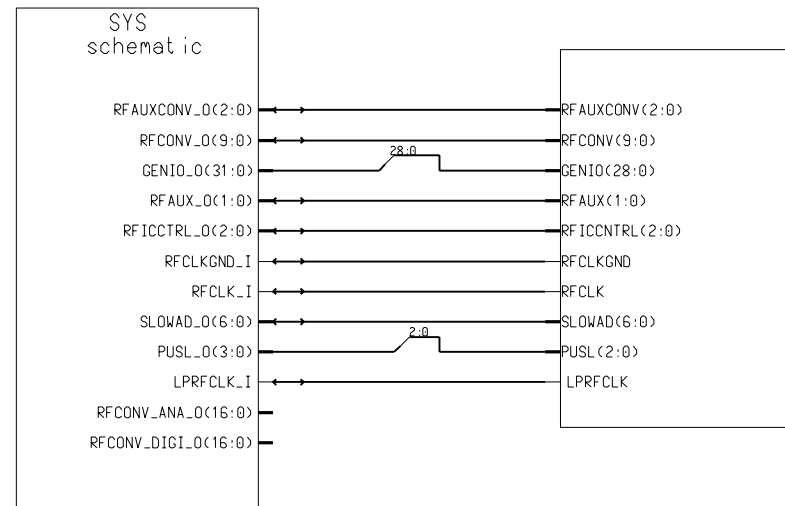
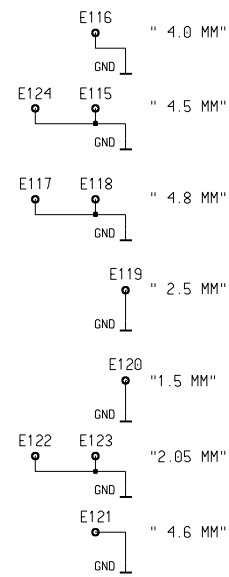
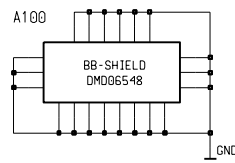


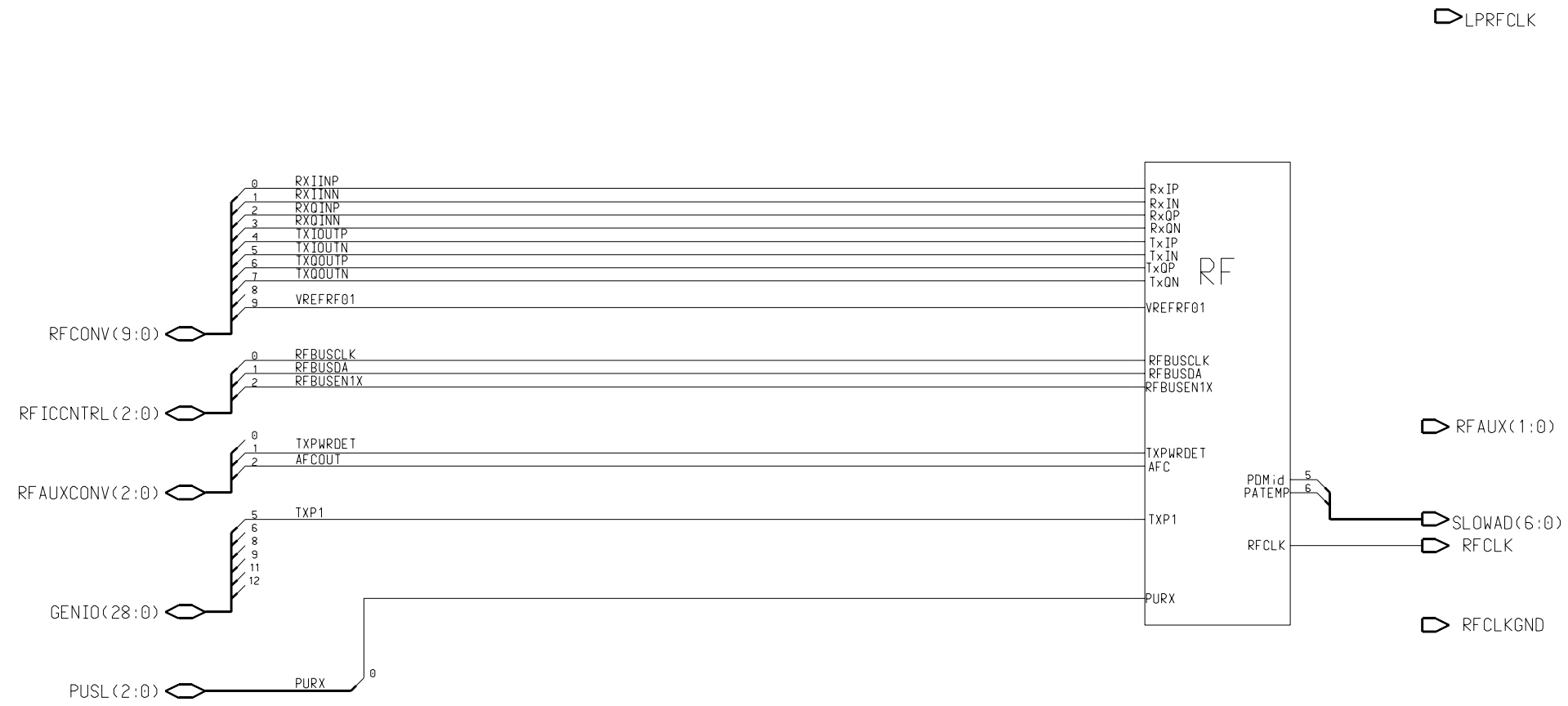
RF-BB Diagram



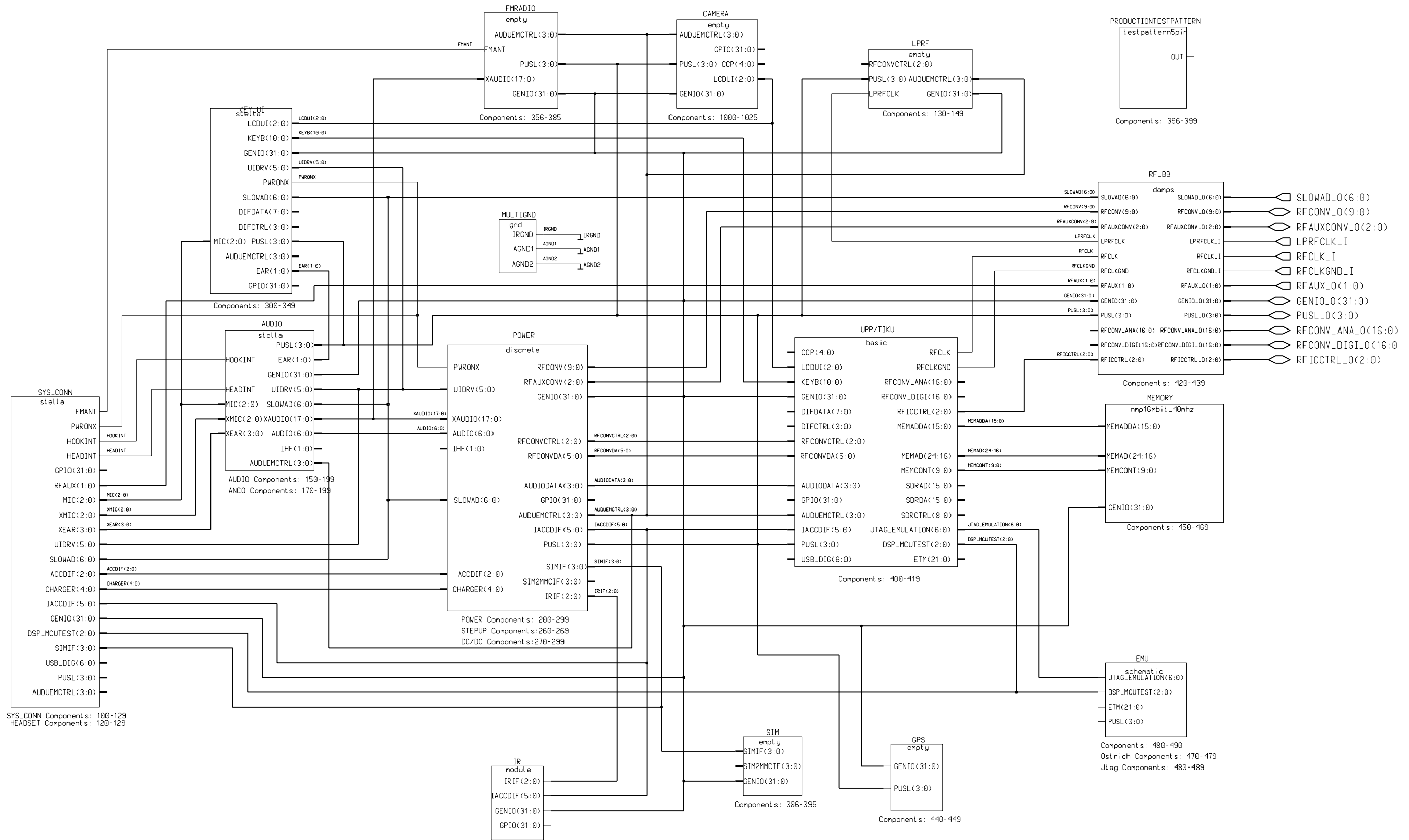
"GROUND HOLES FOR MECHANICS"



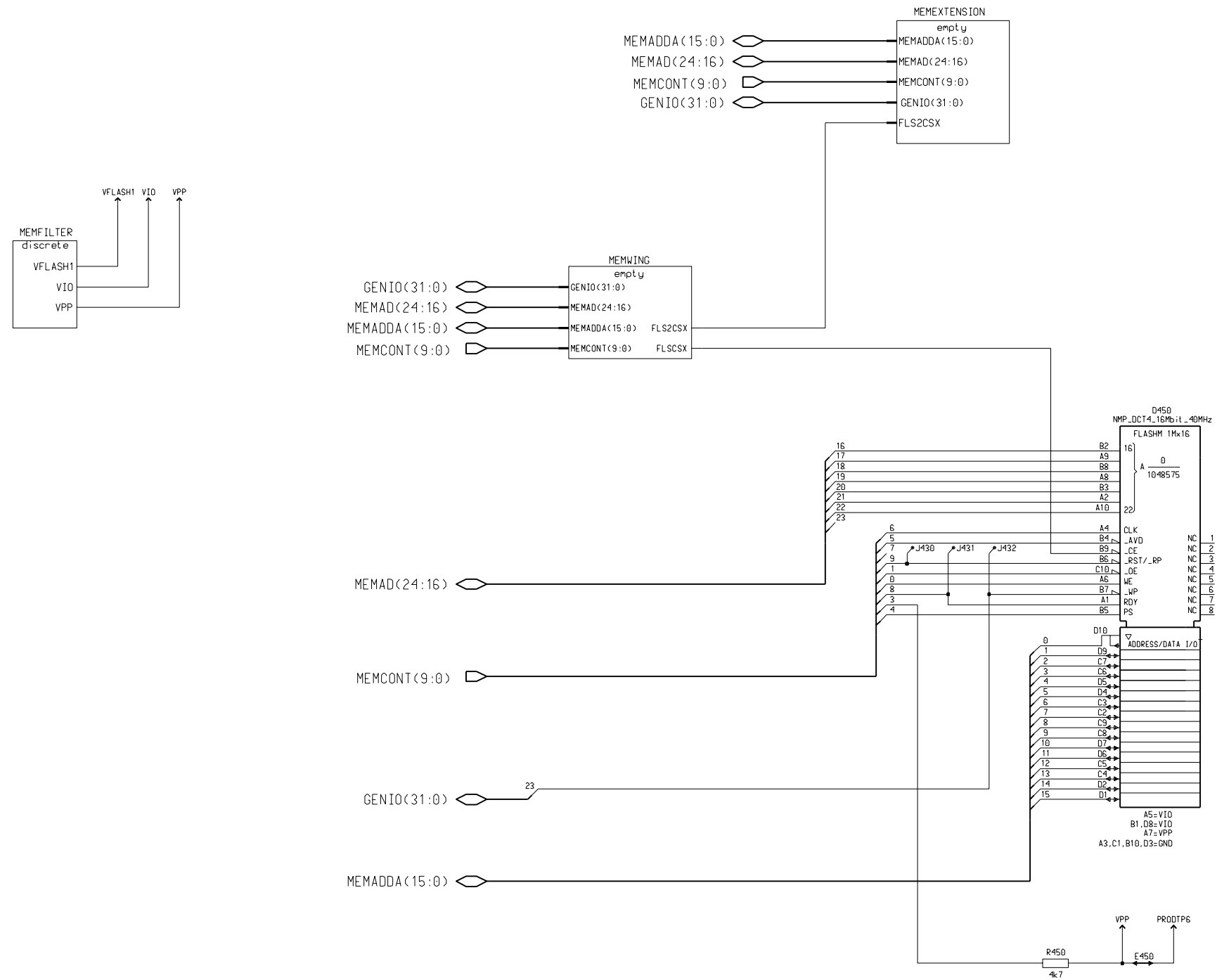
RF Block Diagram



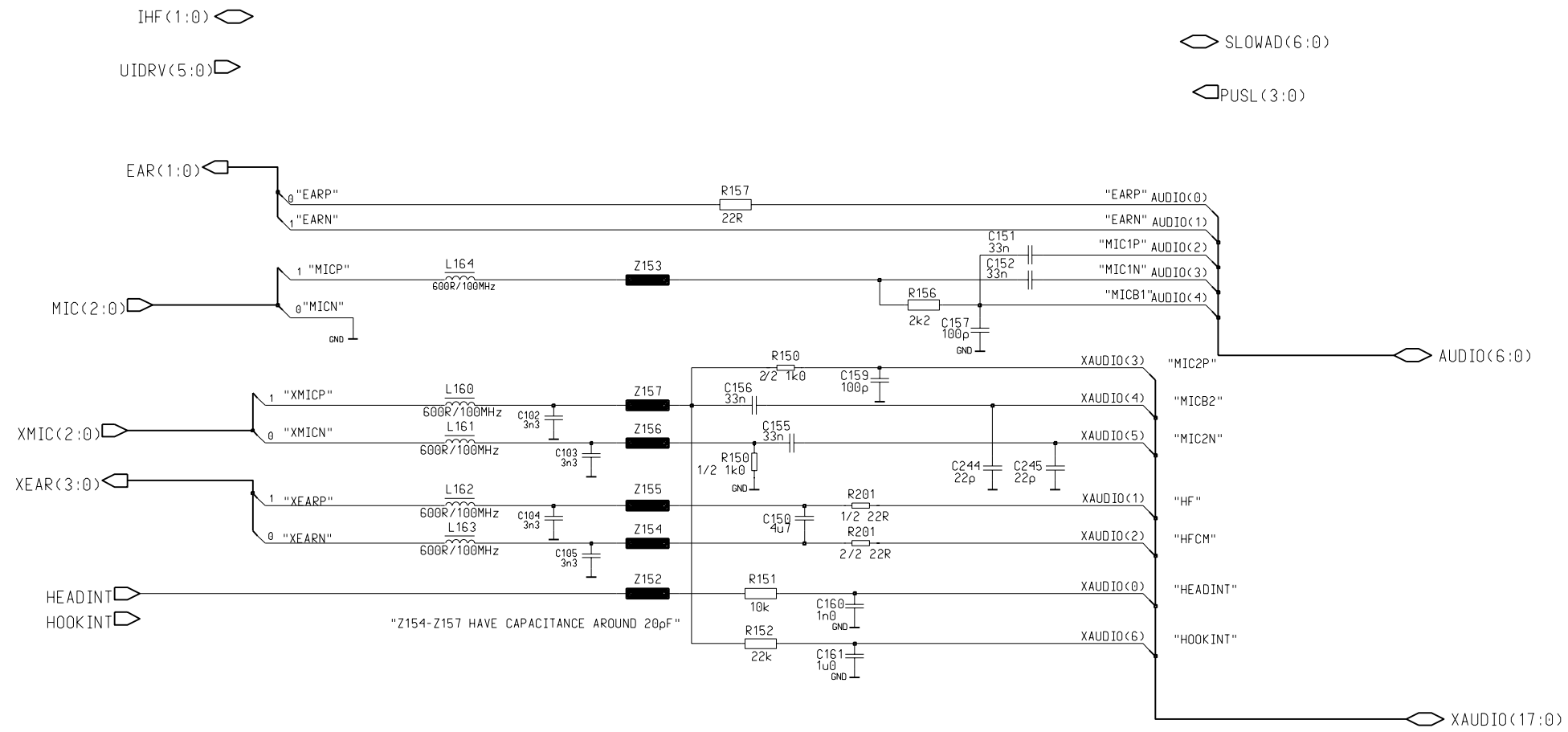
DCT4 Common Baseband (Top-level)



Flash Memory (32-bit)



Sys/Audio



Sys/System Connector

AUDUEMCTRL(3:0)

PUSL(3:0)

GENIO(31:0)

USB_DIG(6:0)

SIMIF(3:0)

DSP_MCUTEST(2:0)

IACCDIF(5:0)

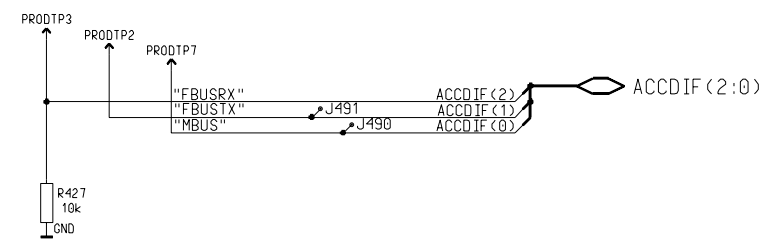
RFAUX(1:0)

PWRONX

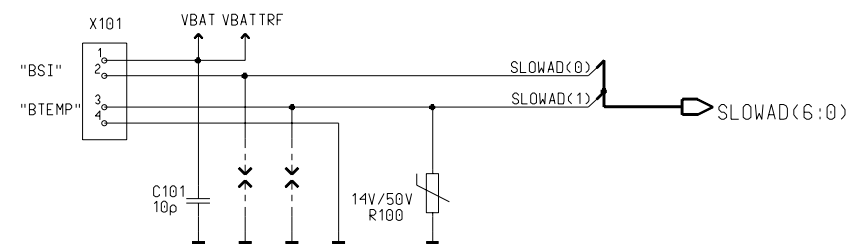
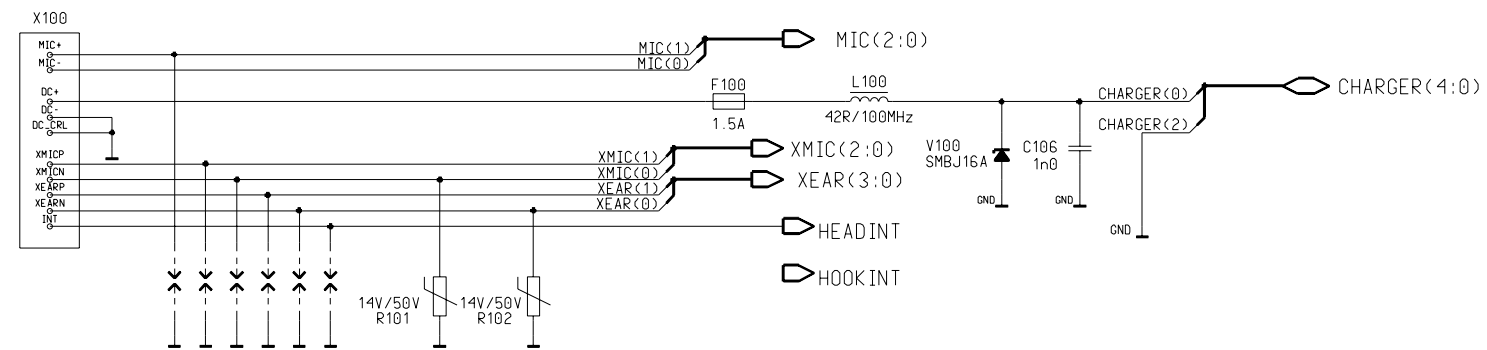
UIDRV(5:0)

FMANT

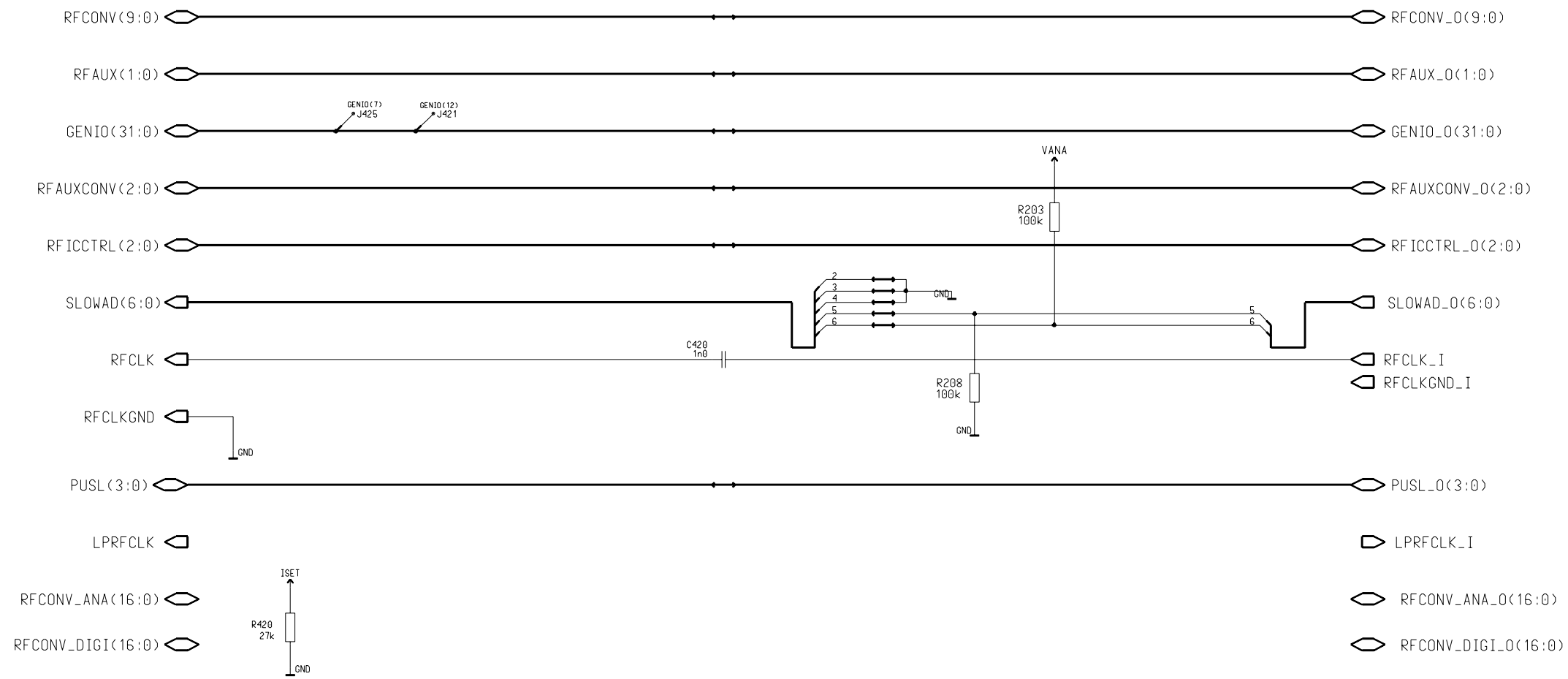
GPIO(31:0)



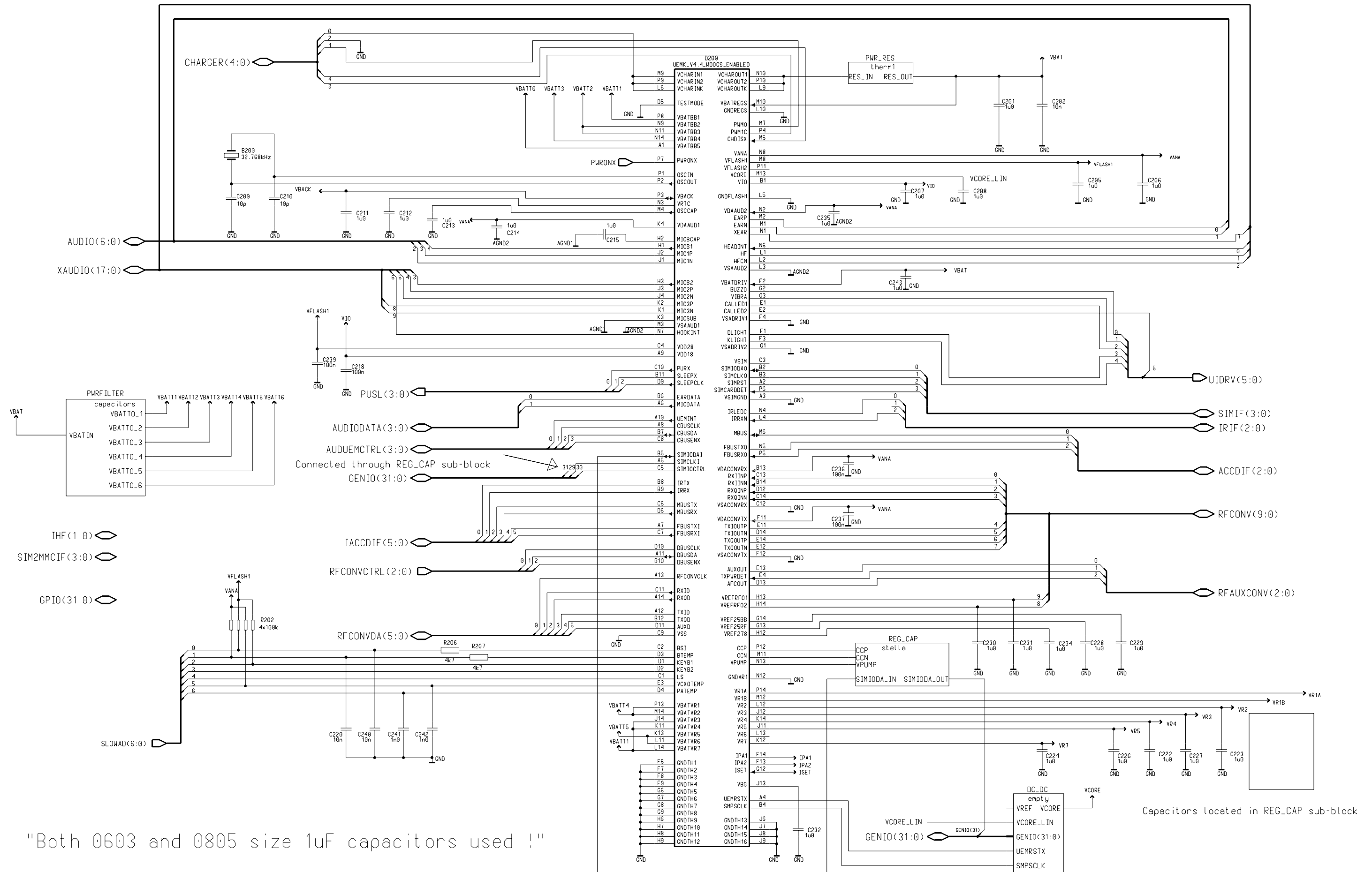
"BOTTOM CONNECTOR"



DAMPS RF - Baseband Interface



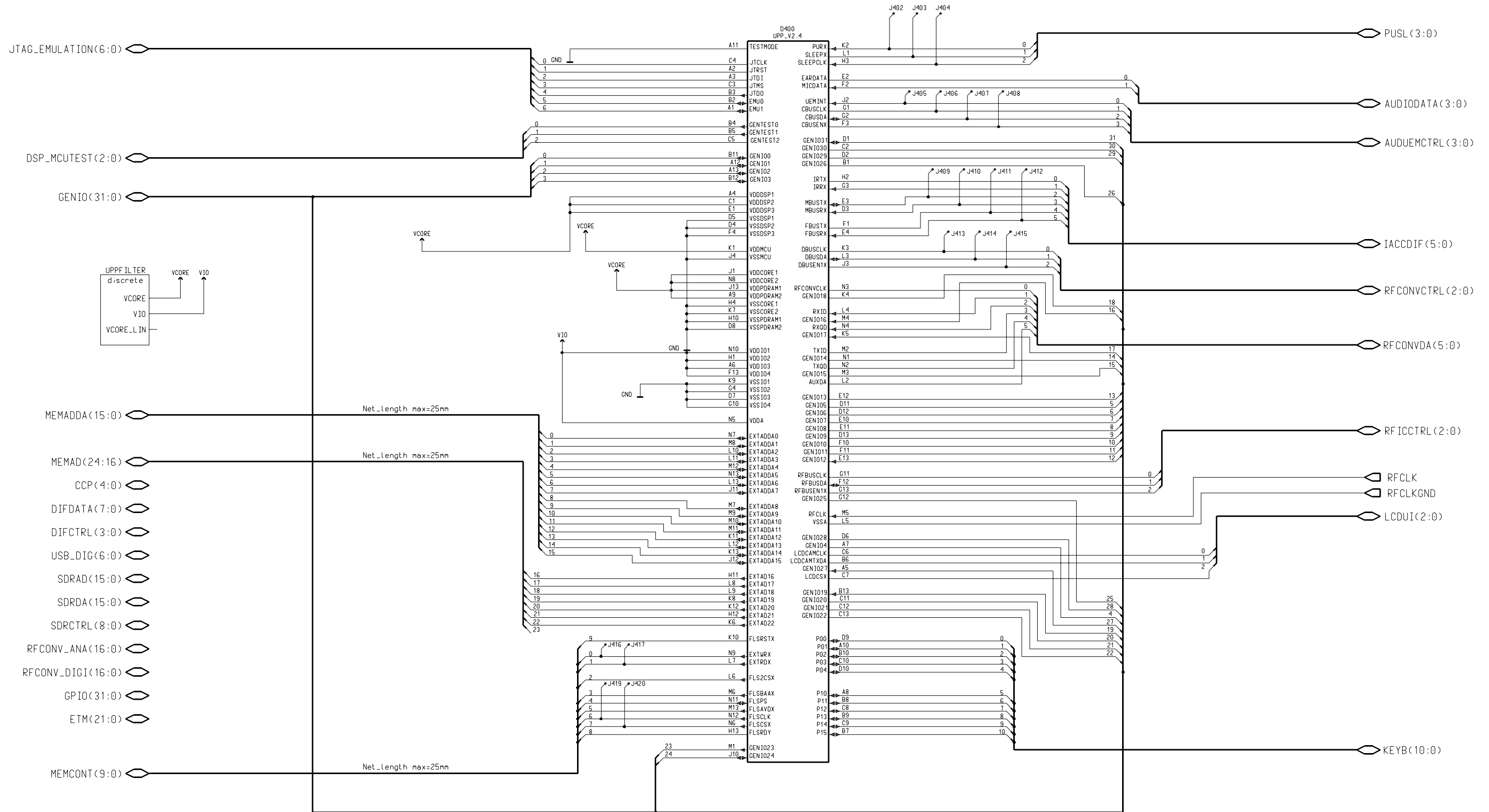
DCT4 Common BB - Discrete Power Management



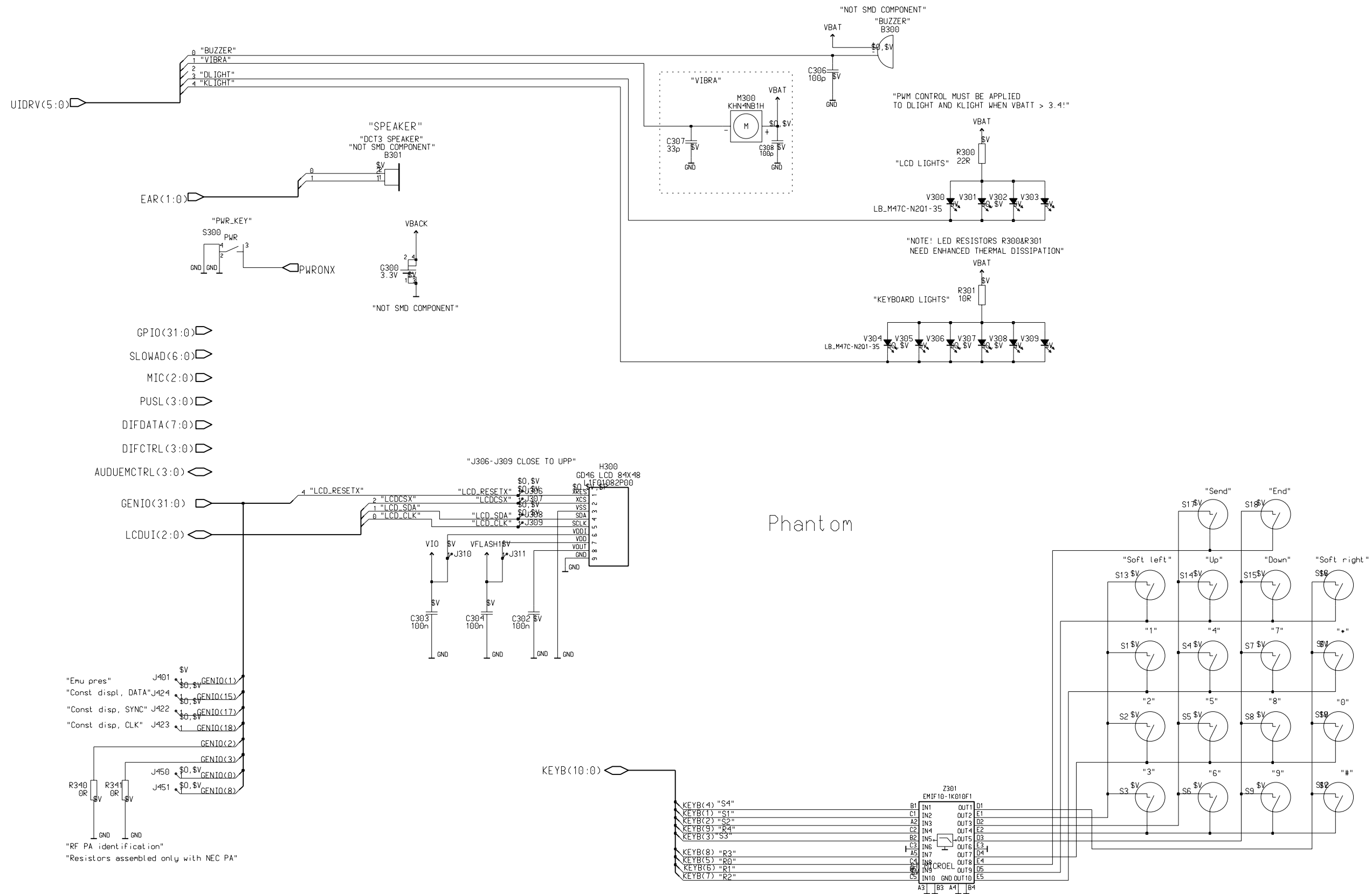
"Both 0603 and 0805 size 1uF capacitors used !"

Used refs in REG_CAP: C238, C200, C219, C233, C221 and R205

DCT4 UPP Implementation

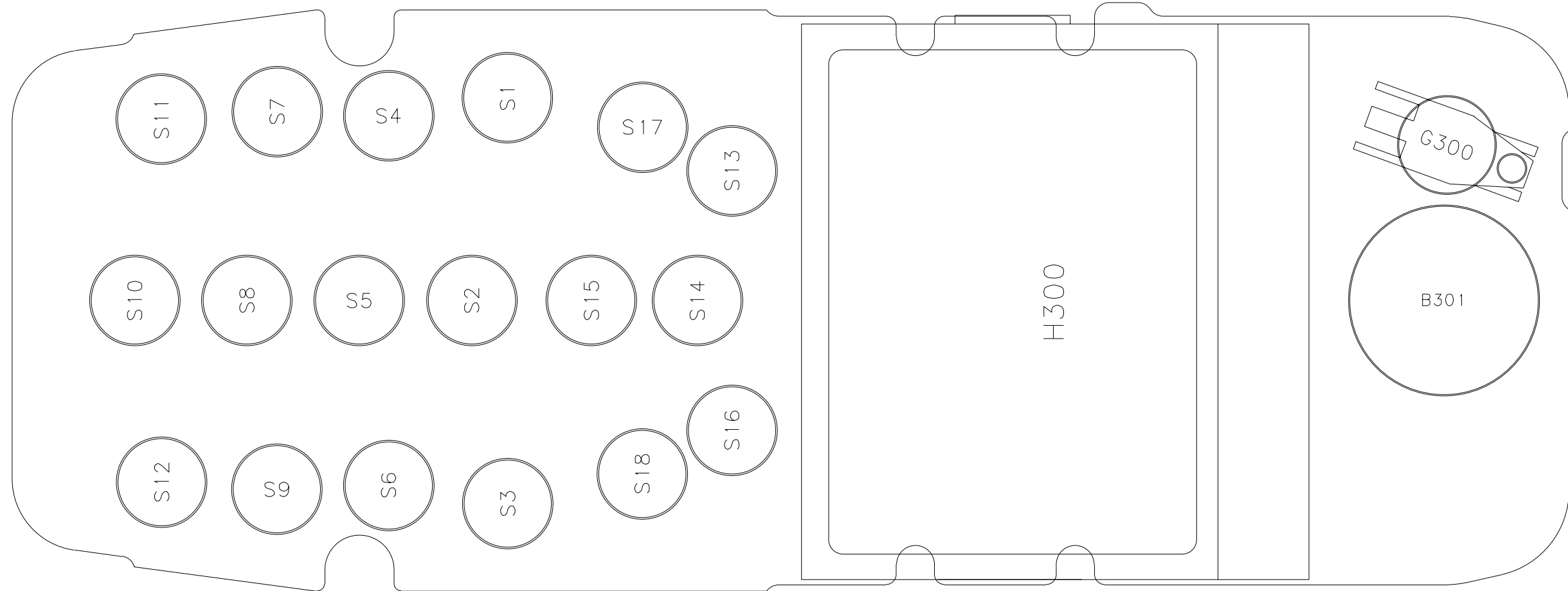


Sys - Key UI Diagram



Phantom

Layout Diagram - Bottom



11
10
9
8
7
6
5
4
3
2
1

Z	Y	X	W	V	U	T	S	R	Q	P	O	N	M	L	K	J	I	H	G	F	E	D	C	B	A
---	---	---	---	---	---	---	---	---	---	---	---	---	---	---	---	---	---	---	---	---	---	---	---	---	---